



COMMERCIAL

Mart-Ten™ 1300, 1500 & 1700

Perfect for the hard jobs.

For applications requiring high strength, excellent bendability and extreme flatness, U. S. Steel's Mart-Ten 1300, 1500 & 1700 grades are made for the job.

U. S. Steel's Mart-Ten ultra high strength steels meet the needs of roll-forming applications that require extreme flatness with excellent bendability. These grades are ideal for use in crash intrusion protection parts and manufacturing large components where safety of the automotive body structure is critical.

STATE OF THE ART SHAPE CONTROL PROCESS

U. S. Steel's Mart-Ten grades utilize the 'Continuous Annealing Line' (CAL) process that precisely controls heating and cooling operations, resulting high strength and good formability. Precise control of pressure across and through the coil ensures superior flatness that is well within roll forming industry guidelines for tolerances and results in less waste with greater yield for manufacturers. CAL grades are available bare or with an Electro-Galvanized (EG) coating.

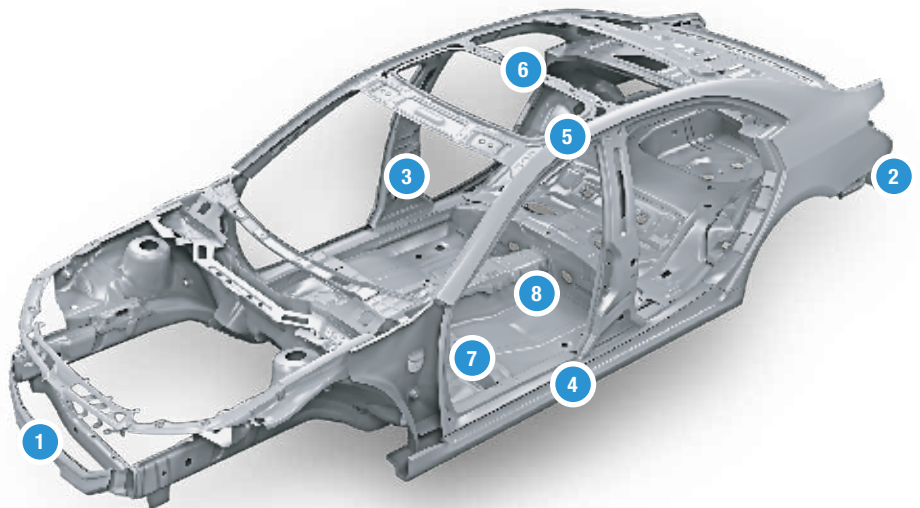
We can tell you more about Mart-Ten. Email us at automotive@uss.com.



Normal MS1500 Produced without Shape Control



USS Mart-Ten™ 1500 produced with Shape Control



IDEAL FOR APPLICATIONS WHERE CRASH INTRUSION PROTECTION AND SAFETY OF THE AUTOMOTIVE BODY STRUCTURE ARE CRITICAL.

- | | | | |
|--------------------------------|--------------------------------------|--------------------------------------|---------------------------|
| 1
Front Bumper Beams | 3
Door Intrusion Beams | 5
Roof Rail Reinforcements | 7
Cross Members |
| 2
Rear Bumper Beams | 4
Side Sill Reinforcements | 6
Roof Bow | 8
Floor Rails |